



IP-67 HINGED ENCLOSURES

- IP-67 hinged waterproof enclosure
- Shockproof ABS material
- Stainless lid latch
- 1 mm galvanized sheet plate
- Changeable TPE seal
- Aluminum wall mount part
- Optional pole mount parts
- Ear for padlock
- Optional aluminum hinged anodized inside lid



Special Stainless Steel Screws



Stainless Lid Latch



Galvanized Sheet Mounting Plate



Light Gray ABS Material



IP-67 Waterproof Design



Ear for Padlock



Clear PC Lid Option



Outdoor Resistant ASA Material Option



Hinged Inner Door Option



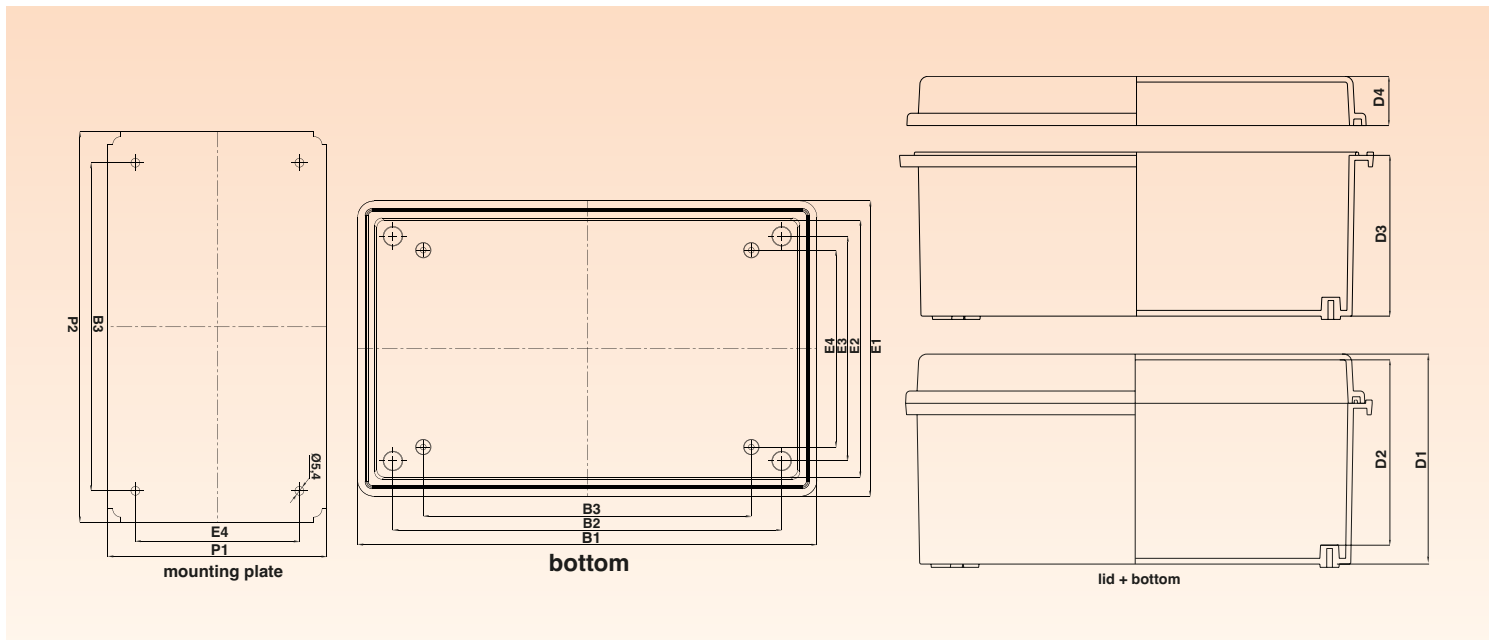
Pole Mounting Kit Option



Aluminum Mounting Ears

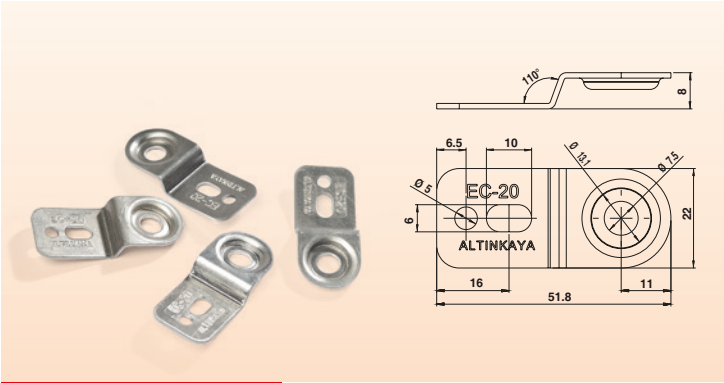


Plastic Mounting Ears



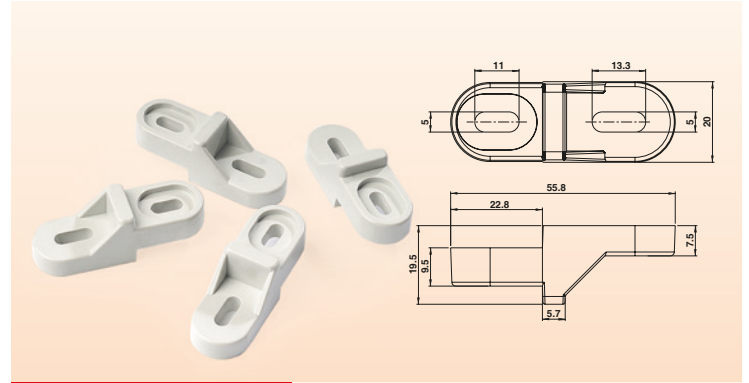
Code	Sizes	E1	E2	E3	E4	B1	B2	B3	D1	D2	D3	D4	P1	P2
EC - 912-9	90 x 120 x 90	90	68	48	50	120	78	80	90	77	70	20	68	98
EC - 1015-8	100 x 150 x 85	100	78,5	61,5	60	150	111,5	60	85	72	65	20	75	125
EC - 1515-9	150 x 150 x 89	150	128	108	108	150	108	108	89	76	69	20	124	124
EC - 1318-10	130 x 180 x 100	130	112	95	90	180	145	100	100	87	80	20	102	152
EC - 1624-5	160 x 240 x 53	160	138	117	116	240	197	160	53	39	38	15	128	208
EC - 1624-11	160 x 240 x 112	160	136	117	116	240	197	160	112	98	97	15	128	208
EC - 1722-13	170 x 220 x 127	170	146	127	110	220	177	80	127	112	97	30	134	184
EC - 2030-13	200 x 300 x 130	200	170	150	120	300	250	220	130	115,9	99,4	30	150	250
EC - 2030-18	200 x 300 x 187	200	169	150	120	300	250	220	187	173	157	30	150	250
EC - 2121-10	210 x 210 x 100	210	187	167	160	210	167	120	100	86	70	30	190	190
EC - 2121-13	210 x 210 x 130	210	186	167	160	210	167	120	130	116	100	30	190	190
EC - 2535-13	250 x 350 x 127	250	226	207	180	350	307	280	127	113	97	30	210	310
EC - 2535-15	250 x 350 x 150	250	226	207	180	350	307	280	150	137	120	30	210	310
EC - 2818-13	180 x 280 x 127	180	156	137	120	280	237	200	127	112	97	30	133	238
EC - 2828-13	280 x 280 x 127	280	256	237	200	280	237	200	127	112	97	30	238	238
EC - 3040-16	300 x 400 x 159	300	264	250	220	400	350	320	159	142	129	30	242	343
EC - 3040-20	300 x 400 x 200	300	268	250	220	400	350	320	200	183	170	30	242	343
EC - 3535-18	350 x 350 x 180	350	352	307	280	350	307	280	180	165	150	30	320	320
EC - 4050-20	400 x 500 x 200	400	368	348,5	300	500	448,5	400	200	186	170	30	350	450

AKSESUARLAR



EC-20

ALUMINUM MOUNTING EARS



EC-22

PLASTIC MOUNTING EARS



• A-691 4x9mm PZ Stainless Screw suitable for screw holes in the enclosure

A-691

STAINLESS SCREWS



• A-692 5x10mm YBS-PZ Stainless Screw suitable for screw holes outside the enclosure

A-692

STAINLESS SCREWS

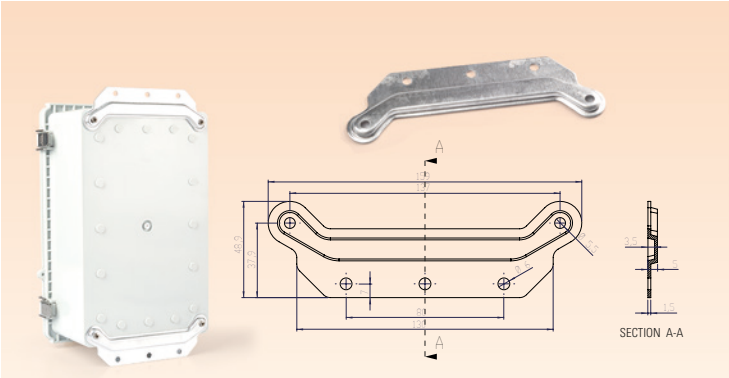


GALVANIZED SHEET MOUNTING PLATE

Code	Suitable Enclosure	P1	P2	E4	B3
EC - 912 - 9 - G	EC - 912 - 9	68	98	50	80
EC - 1015 - 8 - G	EC - 1015-8	75	125	60	60
EC - 1515 - 9 - G	EC - 1515-9	124	124	108	108
EC - 1318 - 10 - G	EC - 1318-10	102	152	90	100
EC - 1624 - 5 - G	EC - 1624-5	128	208	116	160
EC - 1624 - 11 - G	EC - 1624-11	128	208	116	160
EC - 1722 - 13 - G	EC - 1722-13	134	184	110	80
EC - 2030 - 13 - G	EC - 2030-13	150	250	120	220
EC - 2030 - 18 - G	EC - 2030-18	150	250	120	220

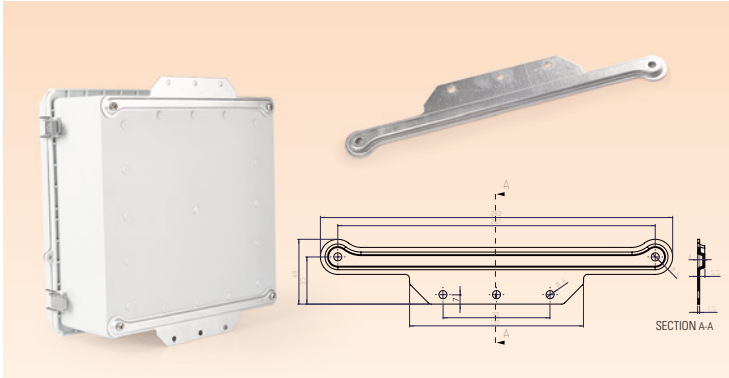
Code	Suitable Enclosure	P1	P2	E4	B3
EC - 2121- 10 - G	EC - 2121-10	190	190	160	120
EC - 2121- 13 - G	EC - 2121-13	190	190	160	120
EC - 2535 - 13 - G	EC - 2535-13	210	310	180	280
EC - 2535 - 15 - G	EC - 2535-15	210	310	180	280
EC - 2818 - 13 - G	EC - 2818-13	133	238	120	200
EC - 2828 - 13 - G	EC - 2828-13	238	238	200	200
EC - 3040 - 16 - G	EC - 3040-16	242	343	220	320
EC - 3040 - 20 - G	EC - 3040-20	242	343	220	320
EC - 3535 - 18 - G	EC - 3535-18	320	320	280	280
EC - 4050 - 20 - G	EC - 4050-20	350	450	300	400

ACCESSORIES & POLE MOUNTING PARTS



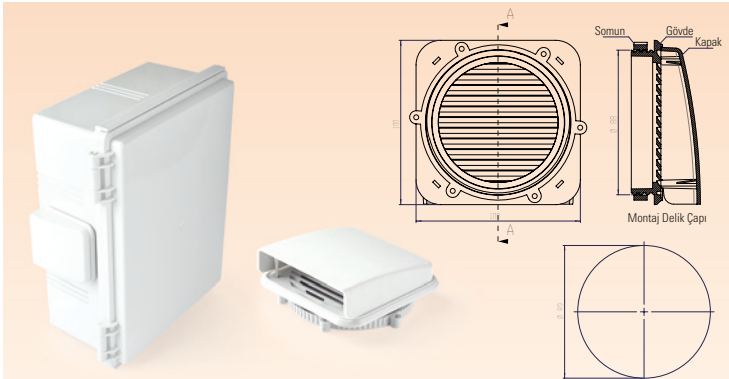
A-260

ALUMINUM MOUNTING EAR



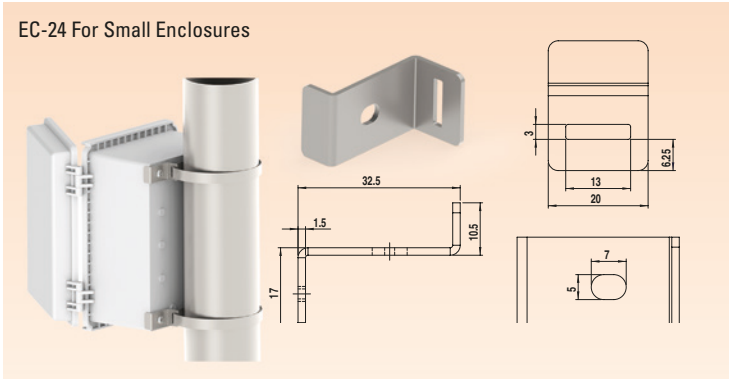
A-262

ALUMINUM MOUNTING EAR



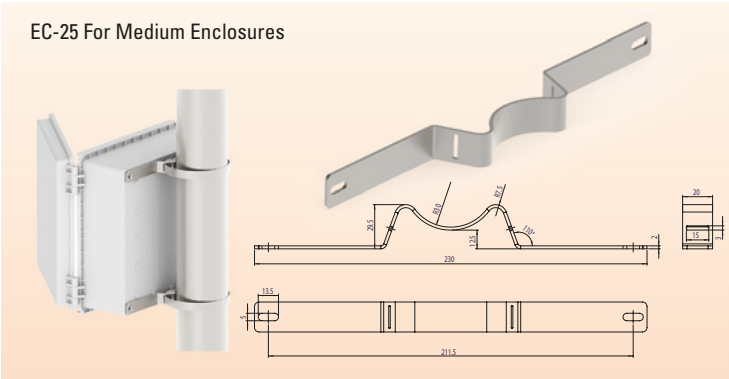
PH-100

PLASTIC VENTILATION



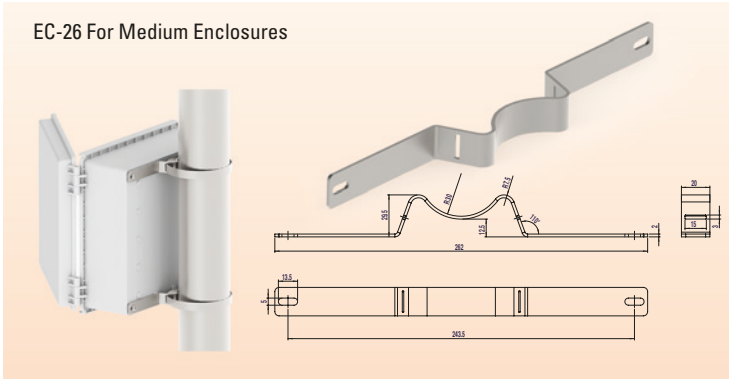
EC-24

POLE MOUNTING PARTS



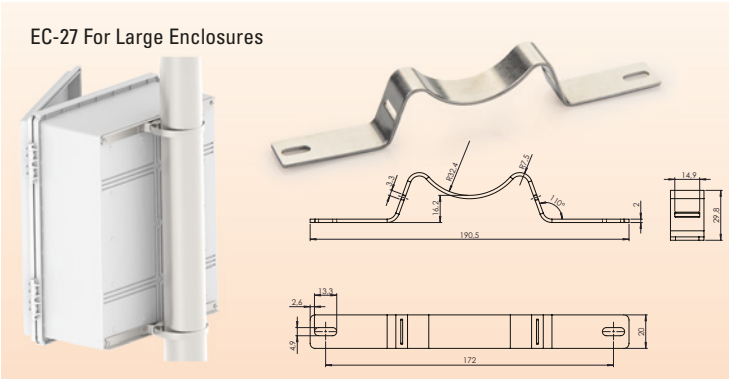
EC-25

POLE MOUNTING PARTS



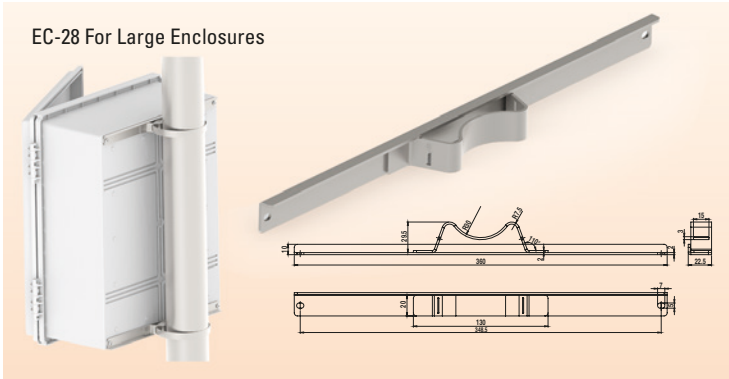
EC-26

POLE MOUNTING PARTS



EC-27

POLE MOUNTING PARTS



EC-28

POLE MOUNTING PARTS